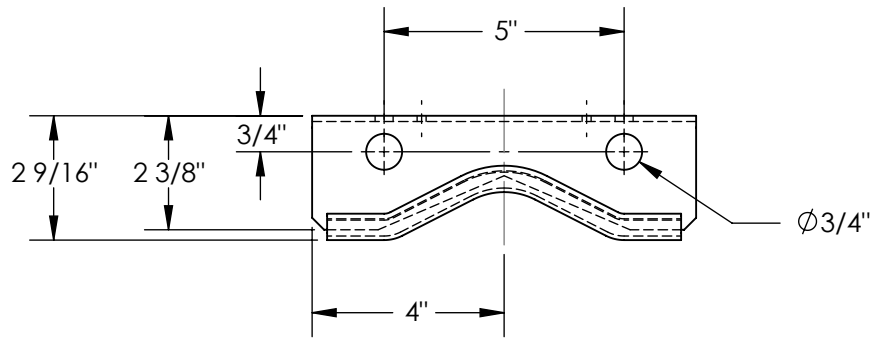


CYLINDER BRACKET - CB-W-S

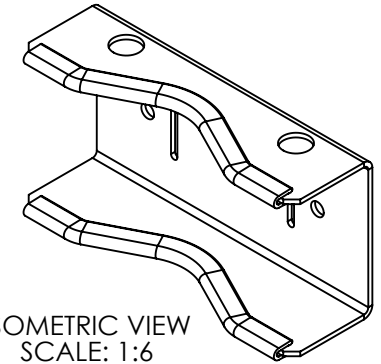
APPROX WEIGHT: 2.05 lbs.
DOES NOT INCLUDE WEIGHT OF POWER OR PACKAGING!!!

*** ANY ADDITIONS, DELETIONS, OR OMISSIONS MUST BE CORRECTED ON THIS DRAWING AS THIS DRAWING WILL BE CONSIDERED ALL INCLUSIVE ***

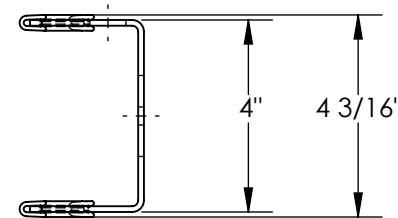
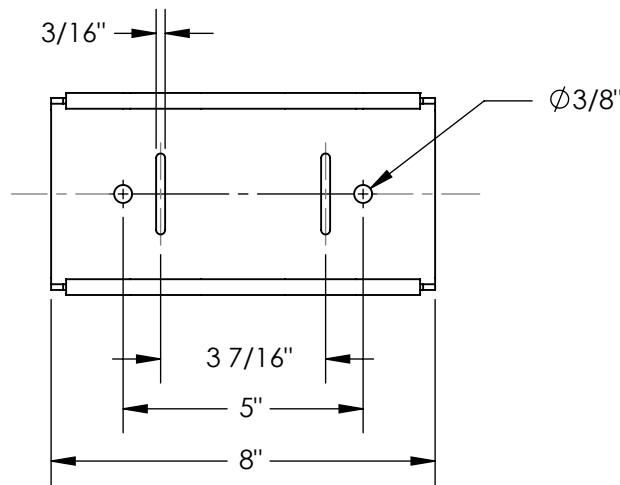
ALL GRAPHICS PROVIDED ARE FOR REFERENCE ONLY. IF CERTAIN DIMENSIONS ARE CRITICAL PLEASE VERIFY THOSE DIMENSIONS WITH YOUR SALESPERSON



NOTE: CYLINDER SECURING STRAPS WITH TENSION LOCKS NOT SHOWN.



ISOMETRIC VIEW
SCALE: 1:6



STANDARD FEATURES

MODEL NUMBER: CB-W-S
OVERALL WIDTH: 8"
OVERALL DEPTH: 2 9/16"
OVERALL HEIGHT: 4 3/16"
MAX CAPACITY: ONE CYLINDER

SPECIAL FEATURES

NONE

APPROVAL

I, THE UNDERSIGNED, AGREE THAT THE PRODUCT AS REPRESENTED SATISFIES DESIGN AND DIMENSION REQUIREMENTS. I ALSO ACKNOWLEDGE MY DUTY TO CONFIRM PRODUCT AND INSTALLATION COMPLIANCE WITH ALL APPLICABLE FEDERAL, STATE AND LOCAL REGULATIONS AND STANDARDS.
ALL SPECIAL UNITS ARE NON-RETURNABLE
[] As drawn [] As marked

Signed: _____ Date: _____

LEAD TIME WILL START UPON RECEIPT OF SIGNED APPROVAL DRAWING

DISTRIBUTOR'S NAME: VESTIL MANUFACTURING			P.O.# X
DRAWN BY: X			W.O.# X
DATE: XX/XX/XX	SCALE: 1:4		SALES: X
REFERENCE: X	QUOTE # X	FILE NAME: 16-007-220	